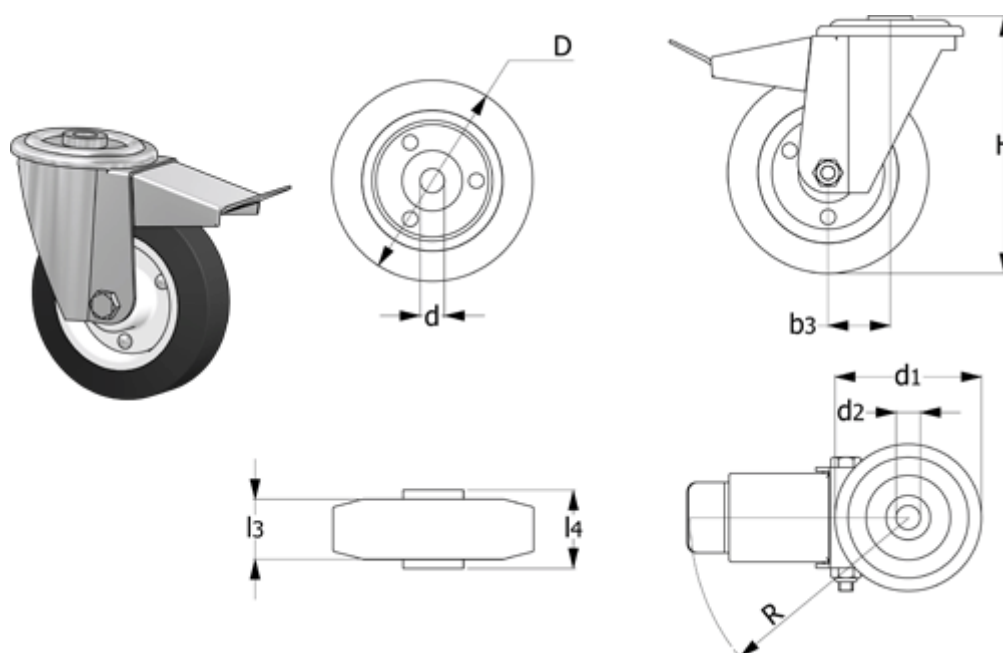


Article number: 2314450266

Description: E+G rubber wheel 450266
RE.E3-150-FBF-N turning plate with brake

Measures



b3	= 37	H	= 182
Code	= 450266	l3	= 40
d	= 15	l4	= 44
D	= 150	R	= 120
d1	= 73	Rolling resistance (N)	= 1000
d2	= 12	Type	= RE.E3-150-FBF
Dynamic load (N)	= 1700		
g	= 1490		